

Aluminium Mounting Clamp

5SAC14V33

33 kN

Clamping system for hockey-puck devices with flange diameter up to 110 mm, mounting force 33 kN

Features:

Not sensitive to magnetic fields

Low weight

High alloy content makes clamp exceptionally strong

Clamping force 33 kN (-10%, +20%)

ABB's patented correct clamping force indicator

Type and Ordering number	Bolt		Weight kg	F _m Clamping force kN	V _c Max. isolation voltage kV	V _m Voltage for partial discharge kV	T _m Max. temp. for continuous operation °C	Fig.
	Length	Distance						
	mm	mm						
5SAC 14V3310	-	140	0.53	33	-	-	80	1
5SAC 14V3300	-	140	0.63	33	-	-	80	2
5SAC 14V3301	140	140	0.85	33	4.8	> 4.8	80	3

Fig. 1
5SAC 14V3310

Each part number includes:
1. Leaf spring with clamping force indicator and pressure pad

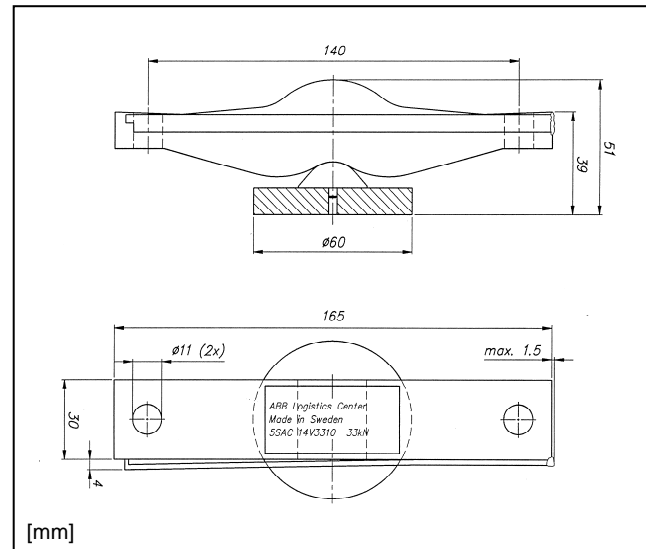


Fig. 2
5SAC 14V3300

Each part number includes:

1. Leaf spring with clamping force indicator and pressure pad.
2. Pressure pad insulator

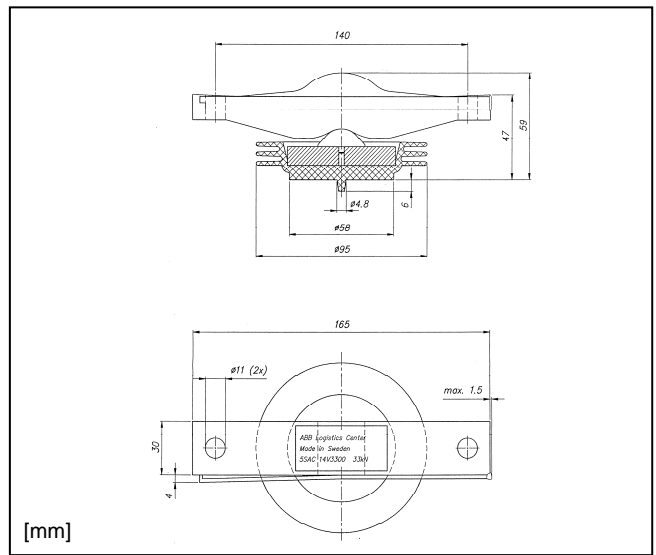
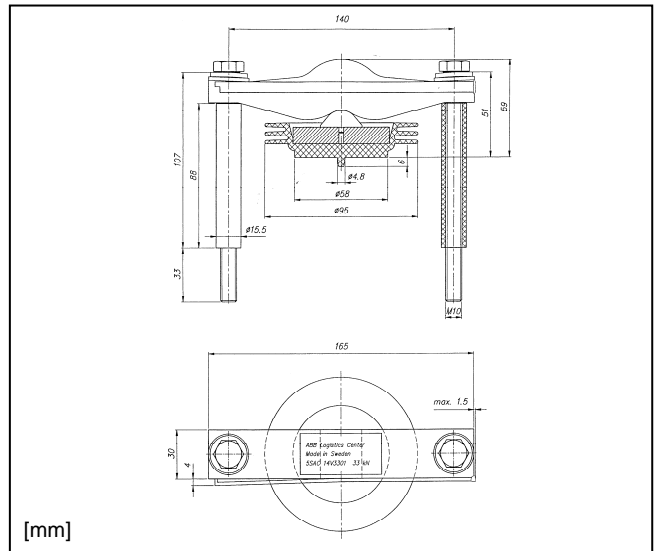


Fig. 3
5SAC 14V3301

Each part number includes:

1. Leaf spring with clamping force indicator and pressure pad
2. Pressure pad insulator
3. Bolts
4. Bolt insulators
5. Plain washers
6. Disc washers



Recommendations for piece parts:

Piece part	Material	Dimensions mm	Included in products
Bolt	Coated or stainless steel	M10 property class 8.8 (DIN 931)	-
Plain washer		10.5 x 25 x 2	Fig. 3
Disc washer		10.5 x 23 x 2.5 (DIN 6796)	Fig. 3

Aluminium Mounting Clamp

5SAC14V20

20 kN

Clamping system for hockey-puck devices with flange diameter up to 110 mm, mounting force 20 kN

Features:

Not sensitive to magnetic fields

Low weight

High alloy content makes clamp exceptionally strong

Clamping force 20 kN (-10%, +20%)

ABB's patented correct clamping force indicator

Type and Ordering number	Bolt		Weight kg	F _m Clamping force kN	V _c Max. isolation voltage kV	V _m Voltage for partial discharge kV	T _m Max. temp. for continuous operation °C	Fig.
	Length	Distance						
	mm	mm						
5SAC 14V2010	-	140	0.34	20	-	-	80	1
5SAC 14V2000	-	140	0.38	20	-	-	80	2
5SAC 14V2001	140	140	0.60	20	4.8	> 4.8	80	3

Fig. 1
5SAC 14V2010

Each part number includes:
1. Leaf spring with clamping force indicator and pressure pad

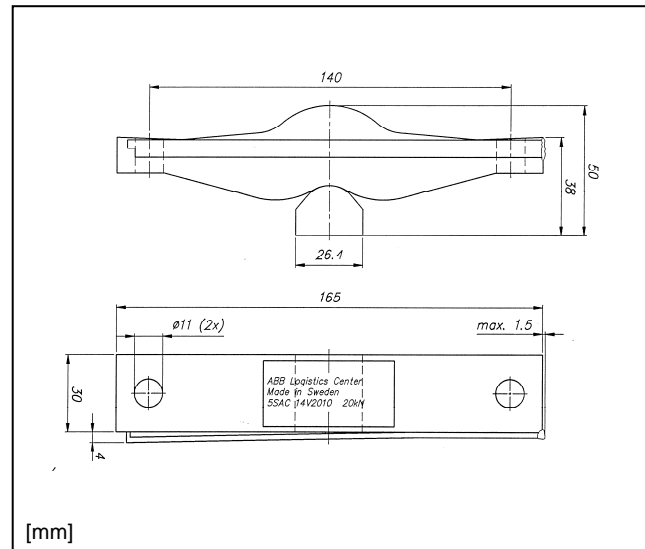


Fig. 2
5SAC 14V2000

Each part number includes:

1. Leaf spring with clamping force indicator and pressure pad.
2. Pressure pad insulator

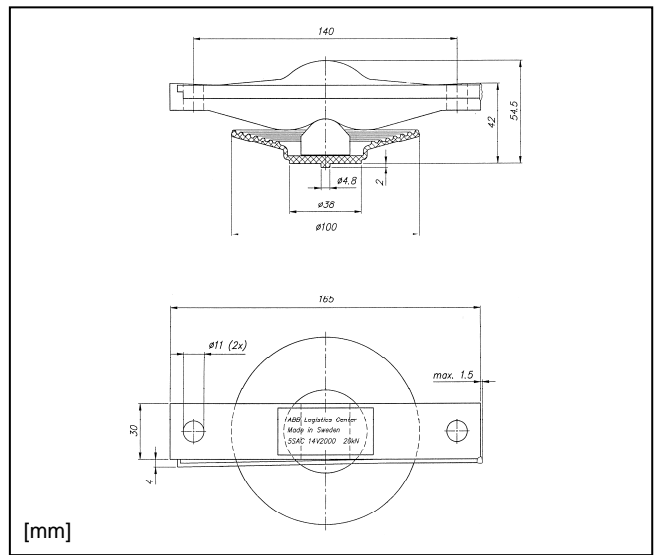
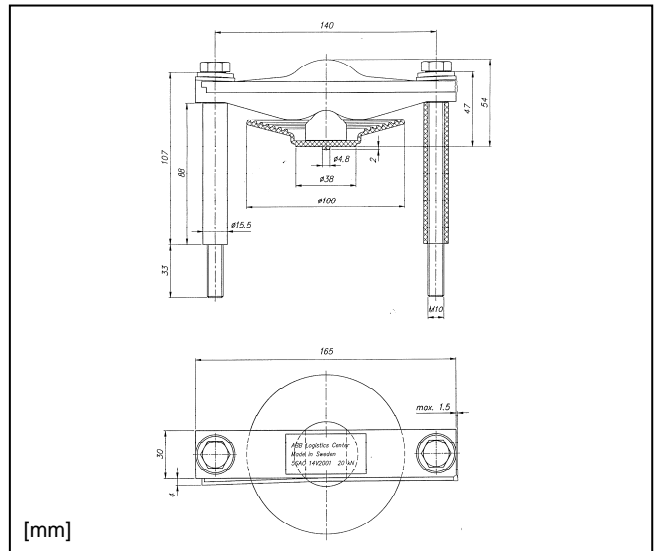


Fig. 3
5SAC 14V2001

Each part number includes:

1. Leaf spring with clamping force indicator and pressure pad
2. Pressure pad insulator
3. Bolts
4. Bolt insulators
5. Plain washers
6. Disc washers



Recommendations for piece parts:

Piece part	Material	Dimensions mm	Included in products
Bolt	Coated or stainless steel	M10 property class 8.8 (DIN 931)	-
Plain washer		10.5 x 25 x 2	Fig. 3
Disc washer		10.5 x 23 x 2.5 (DIN 6796)	Fig. 3

Aluminium Mounting Clamp

5SAC14V10

10 kN

Clamping system for hockey-puck devices with flange diameter up to 110 mm, mounting force 10 kN

Features:

Not sensitive to magnetic fields

Low weight

High alloy content makes clamp exceptionally strong

Clamping force 10 kN (-10%, +20%)

ABB's patented correct clamping force indicator

Type and Ordering number	Bolt		Weight kg	F _m Clamping force kN	V _c Max. isolation voltage kV	V _m Voltage for partial discharge kV	T _m Max. temp. for continuous operation °C	Fig.
	Length	Distance						
	mm	mm						
5SAC 14V1010	-	140	0.31	10	-	-	80	1
5SAC 14V1000	-	140	0.35	10	-	-	80	2
5SAC 14V1001	140	140	0.57	10	4.8	> 4.8	80	3

Fig. 1
5SAC 14V1010

Each part number includes:
1. Leaf spring with clamping force indicator and pressure pad

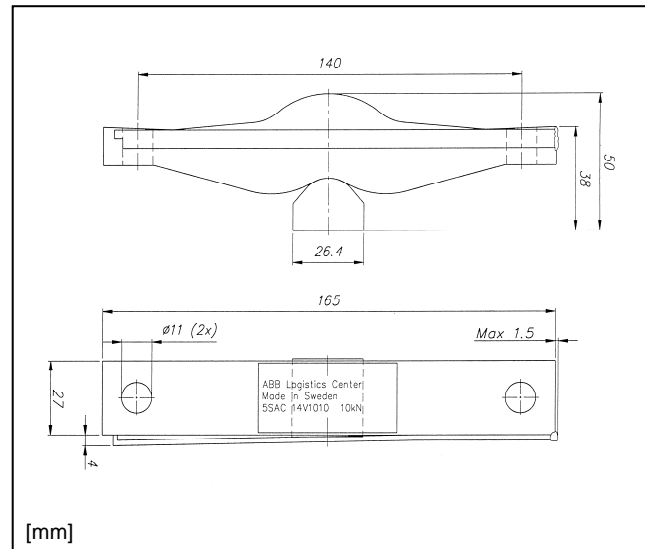


Fig. 2
5SAC 14V1000

Each part number includes:

1. Leaf spring with clamping force indicator and pressure pad.
2. Pressure pad insulator

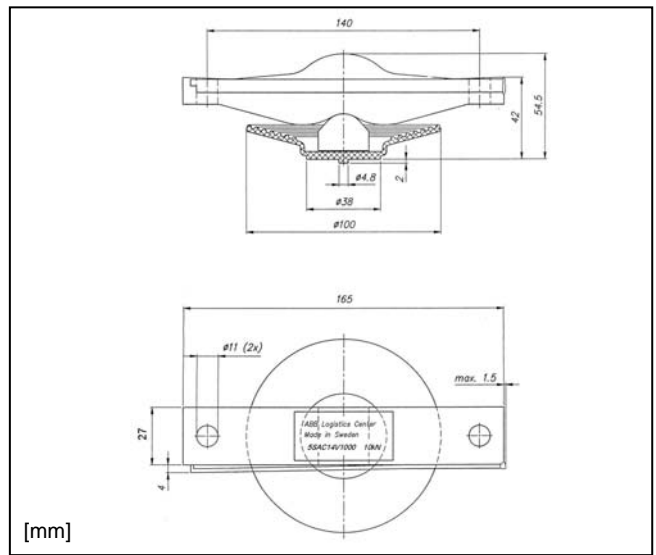
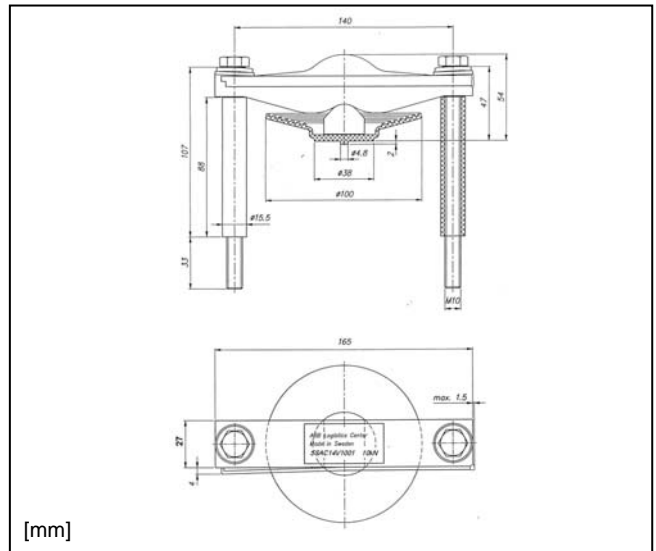


Fig. 3
5SAC 14V1001

Each part number includes:

1. Leaf spring with clamping force indicator and pressure pad
2. Pressure pad insulator
3. Bolts
4. Bolt insulators
5. Plain washers
6. Disc washers



Recommendations for piece parts:

Piece part	Material	Dimensions mm	Included in products
Bolt	Coated or stainless steel	M10 property class 8.8 (DIN 931)	-
Plain washer		10.5 x 25 x 2	Fig. 3
Disc washer		10.5 x 23 x 2.5 (DIN 6796)	Fig. 3