

Steel Mounting Clamp

5SAC07V08

8 kN

Clamping system for hockey-puck devices with flange diameter up to 60 mm, mounting force 8 kN

Features:

Corrosion resistant

Clamping force 8 kN (-10%, +20%)

ABB's patented correct clamping force indicator

Type and Ordering number	Bolt		Weight kg	F _m Clamping force kN	V _c Max. isolation voltage kV	V _m Voltage for partial discharge kV	T _m Max. temp. for continuous operation °C	Fig.
	Length	Distance						
	mm	mm						
5SAC 07V0810	-	70	0.13	8	-	-	125	1
5SAC 07V0800	-	70	0.27	8	-	-	125	2
5SAC 07V0802	100	70	0.26	8	2.8	> 2.8	110	3
5SAC 07V0803	70	70	0.36	8	2.8	> 2.8	110	4

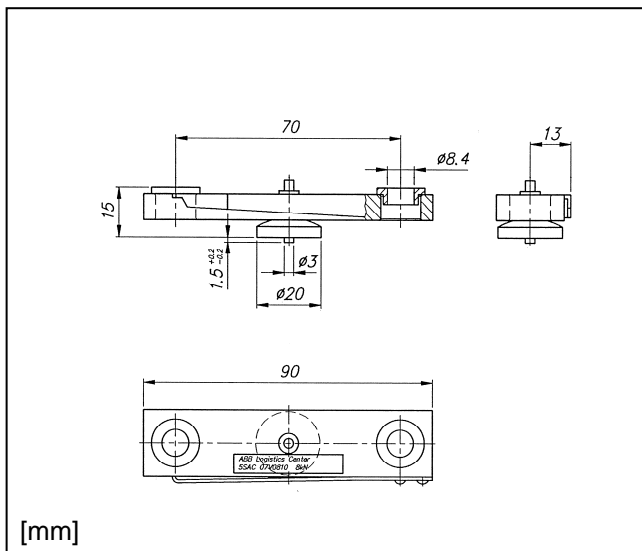


Fig. 1
5SAC 07V0810

- Each part number includes:
1. Leaf spring with clamping force indicator
 2. Washers

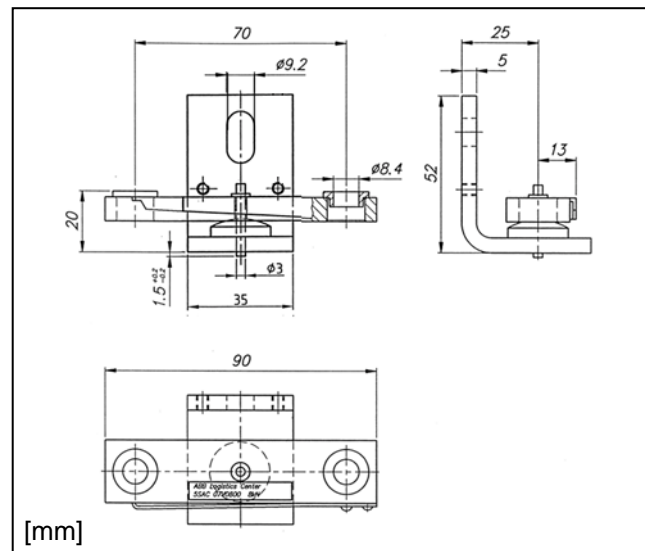


Fig. 2
5SAC 07V0800

- Each part number includes:
1. Leaf spring with clamping force indicator
 2. Pressure pad

Fig. 3
5SAC 07V0802

Each part number includes:

1. Leaf spring with clamping force indicator
2. Bolts (M8x100mm)
3. Bolt insulators
4. Washers

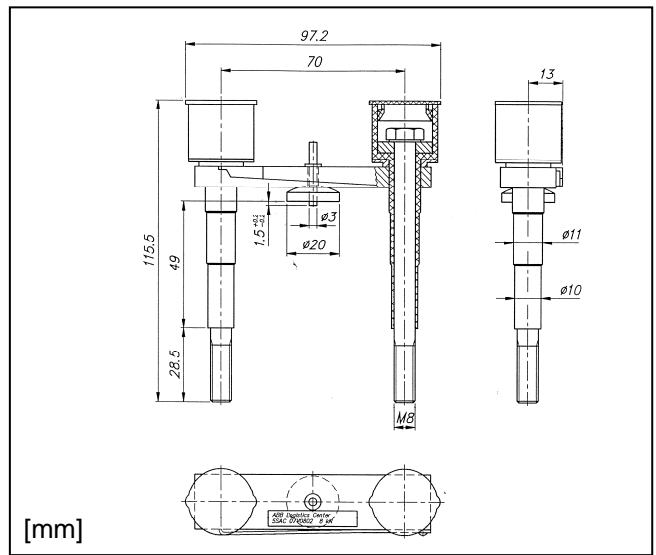
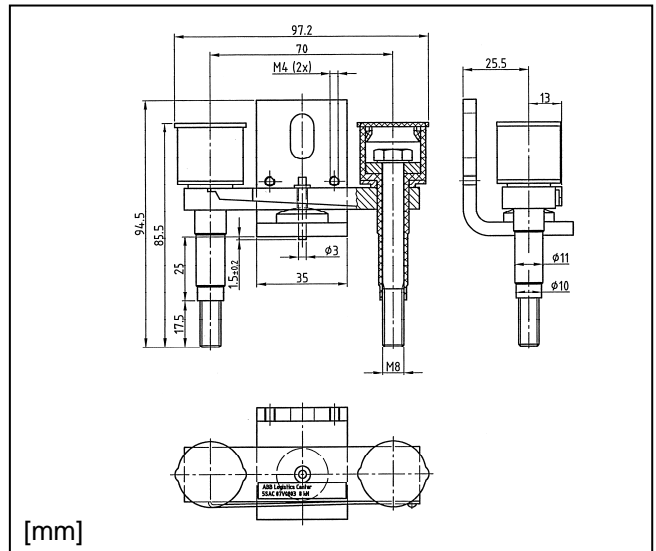


Fig. 4
5SAC 07V0803

Each part number includes:

1. Leaf spring with clamping force indicator
2. Bolts (M8x70mm)
3. Bolt insulators
4. Washers



Recommendations for piece parts:

Piece part	Material	Dimensions mm	Included in products
Bolt	Coated or stainless steel	M8 property class 8.8 (DIN 931)	Fig. 3 & 4