

Pressure Pad Insulator

5FSE704857V1001

Pressure Pad Insulator

Specifications:

Material: Ultrason E2010 G6

V_c 7.0 kV Max. isolation voltage

V_m 7.0 kV Voltage for partial discharge

T_m 80 °C Max temp. for cont. operation

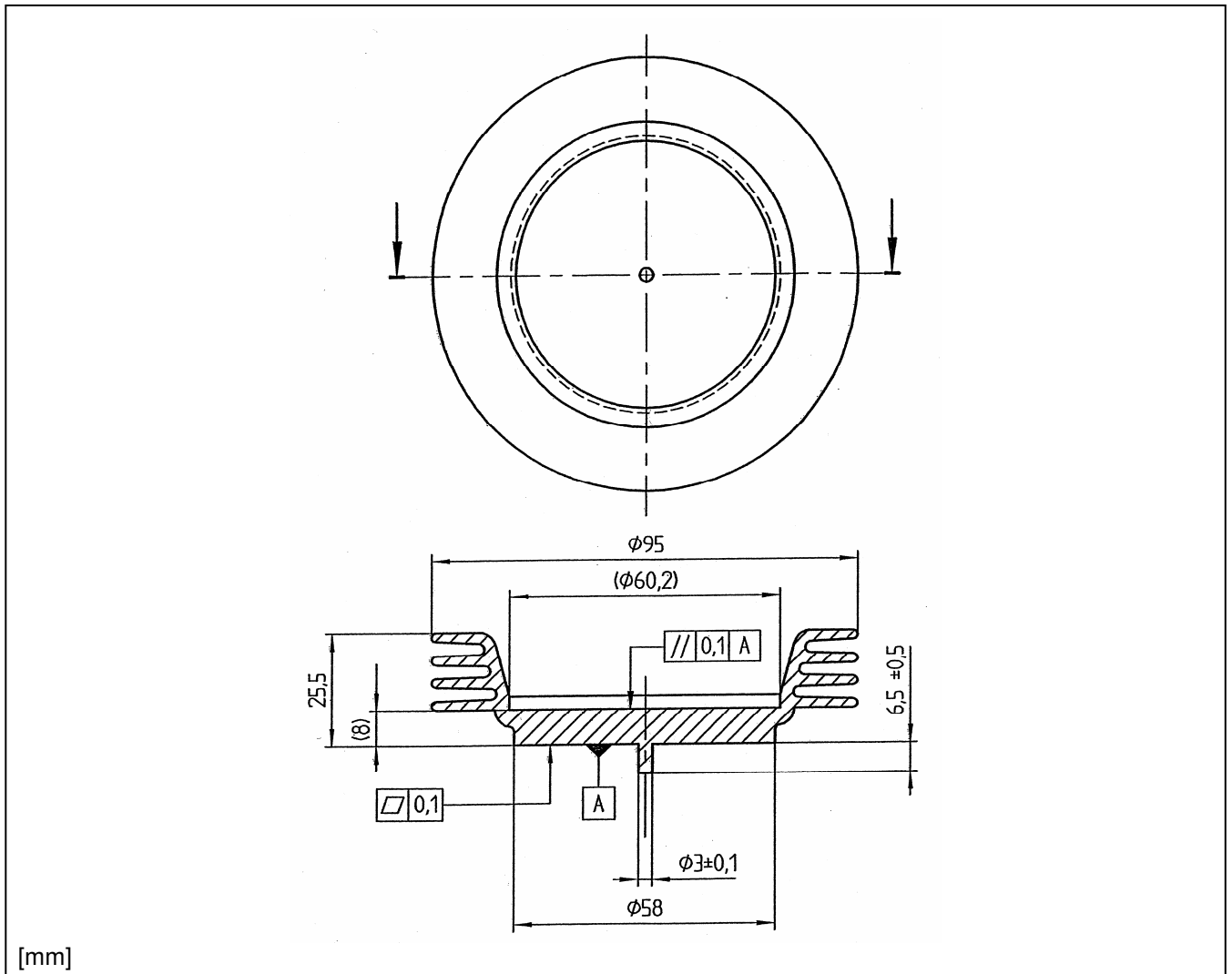


ABB AB

Logistics Center

S-721 59 Västerås, Sweden

Tel: +46 21 32 28 00, Fax: +46 21 14 65 37

Emergency Spare Parts: +46 70 575 00 85

Parts OnLine: www.abb.com/partsonline

Offers: offer.selog@se.abb.com

E-mail: Info.selog@se.abb.com