

# Aluminium Reaction Bar

## 5FSE704857-801

### Designed for stack assemblies

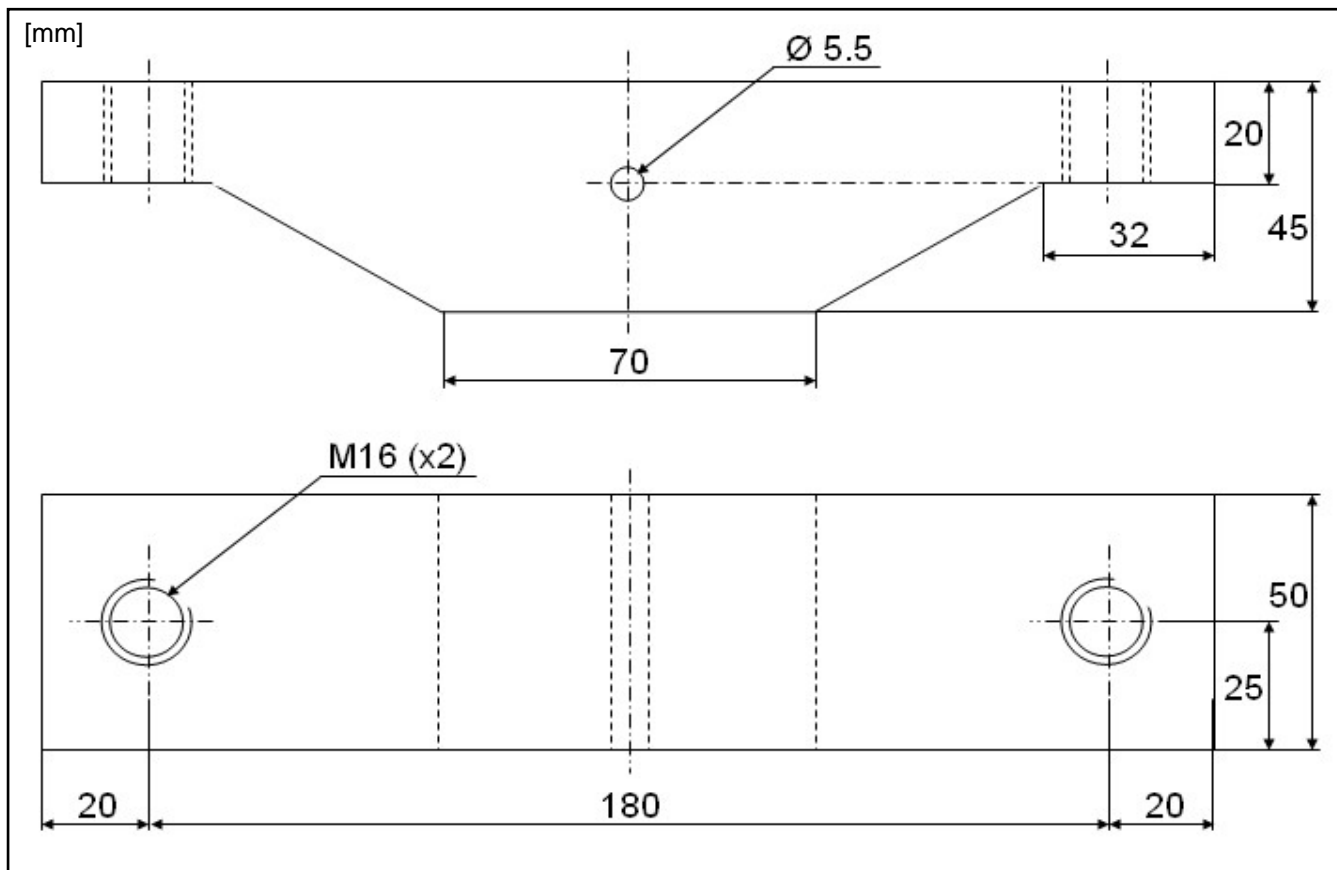
Material: Aluminium alloy EN-AW-6082

Surface treatment: Anodized nature (20µm)

### Features:

Not sensitive to magnetic fields

Low weight



# Aluminium Reaction Bar

## 5FSE704857-802

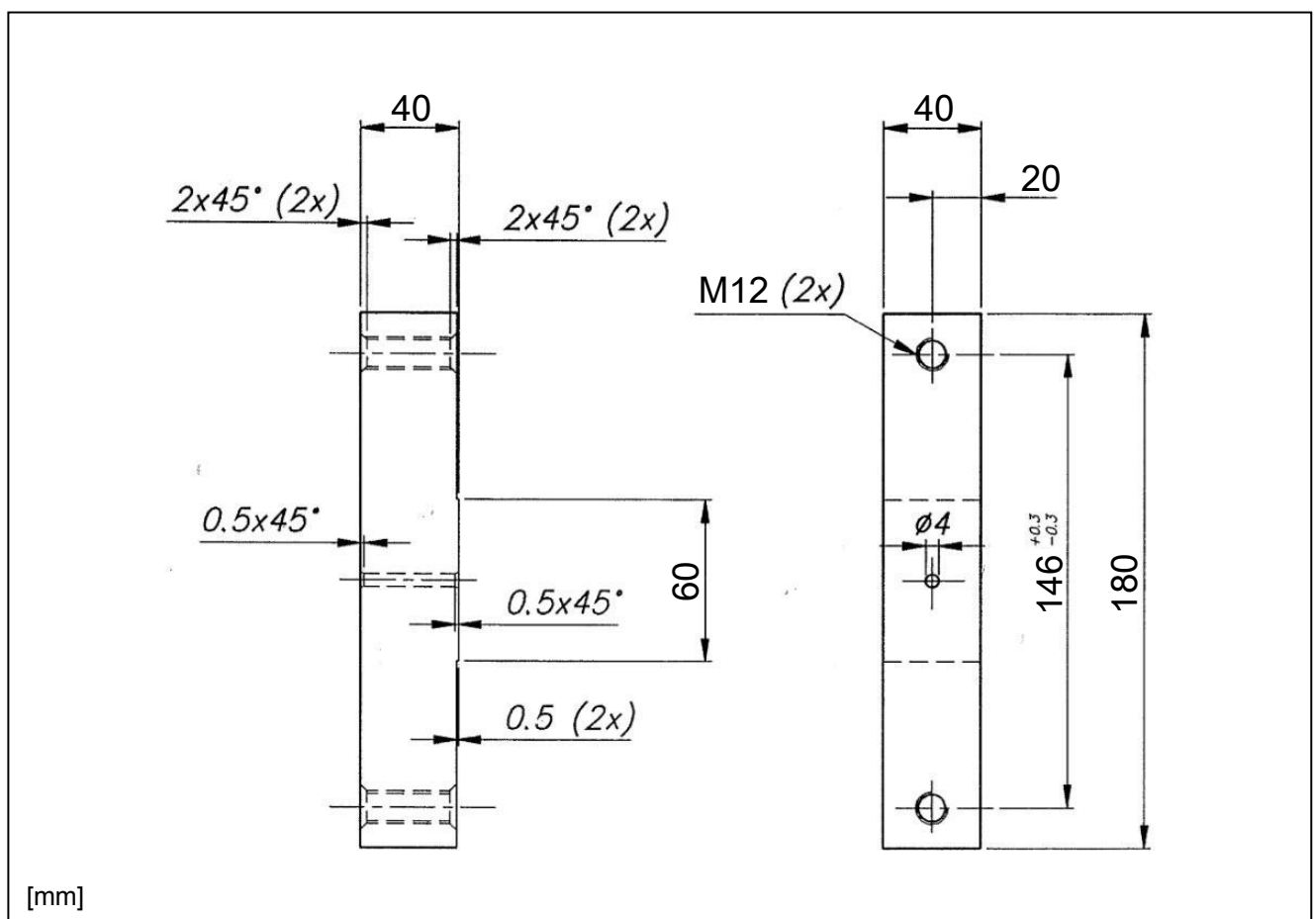
### Designed for stack assemblies

Material: Aluminium alloy EN-AW-6082

### Features:

Not sensitive to magnetic fields

Low weight



# Aluminium Reaction Bar

## YK 2172 001-1

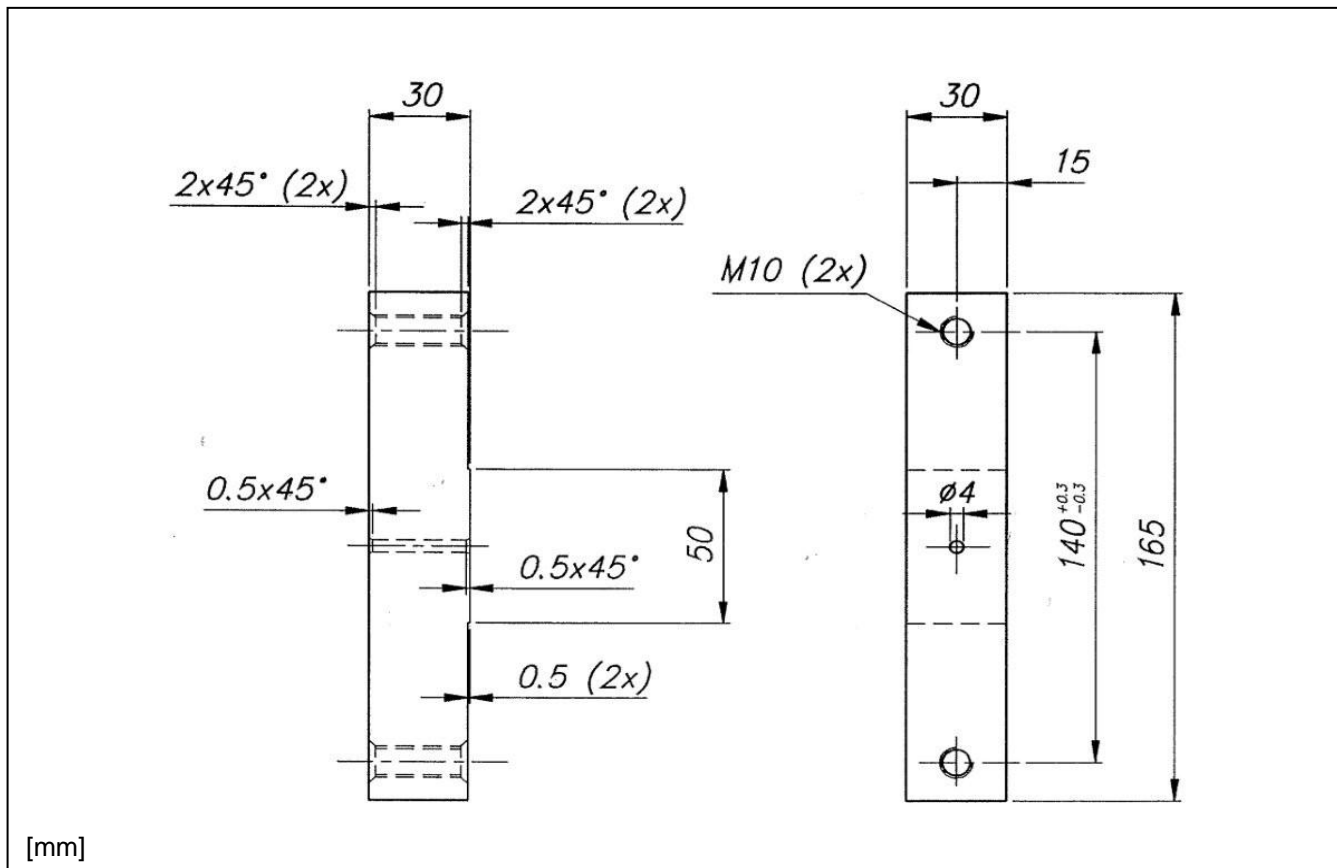
### Designed for stack assemblies

Material: Aluminium alloy EN-AW-6082

### Features:

Not sensitive to magnetic fields

Low weight



# Pressure Pad Insulator

## 5FSE704857V1001

### Pressure Pad Insulator

Specifications:

Material: Ultrason E2010 G6

$V_c$  7.0 kV Max. isolation voltage

$V_m$  7.0 kV Voltage for partial discharge

$T_m$  80 °C Max temp. for cont. operation

