

THICK FILM POWER RESISTOR PR600

FEATURES

Very good ratio Power / Volume
 Easy mounting and wiring with significant cost advantages.
 Non inductive performance for high frequency applications.
 One models for power applications up to 600W.
 Suited to UL94-V0 application

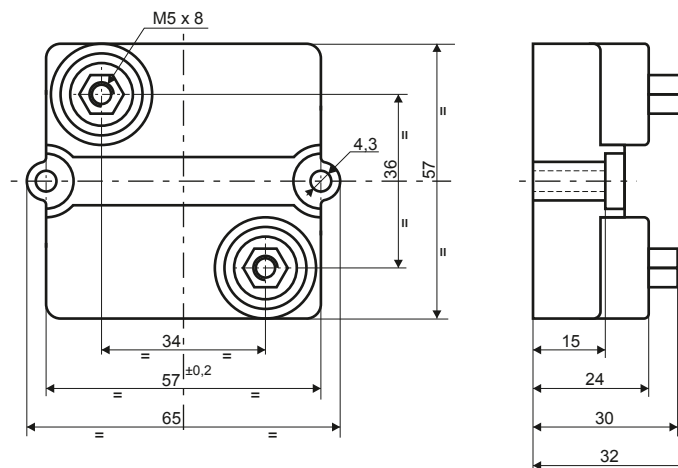
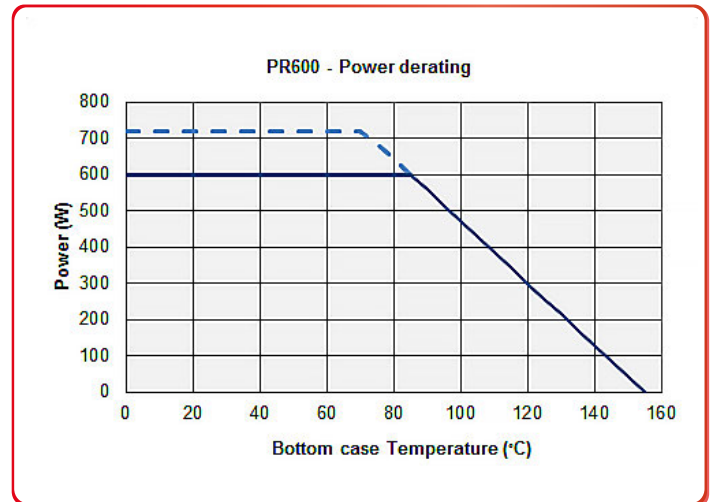


ELECTRICAL SPECIFICATIONS

Power rating: 600W @ 85°C Bottom case Temperature
 For power greater than 600W please consult Technical Dept.
Resistance Range: from 1R0 to 1M0
Resistance Values: E12 series
 For out of range or not std. values please contact ATE Electronics Technical Dept.

Tolerance: Standard ±10%.
 Available on request up to ±1%

Temperature coefficient: ±150 ppm/°C
Work Temperature Range: from -55°C to +155°C
Max Working Voltage: 5kV, $\sqrt{(P \times R)}$
Dielectric strength: 7kVac x 60"
Insulation resistance: > 10⁹ MΩ at 500V
Creep distance: 42mm
Air Gap distance: 16mm
Partial Discharge: < 10pC @ 5kVac
Self Inductance: 80nH
Parallel Capacitance: 40pF
Capacitance to heatsink: < 110pF
Overload: 1kW x 10"
Thermal resistance: 0,115°C/W
Heatsink flatness: 0,05mm max
Heatsink surface finish: 6,3µm max
Thermal grease: Required, $\lambda > 1W/mK$
Max Torque for contacts: 2Nm (static)
Max Torque for mounting: 2Nm (static)
Weight: 95g



"Connection and mounting screws are supplied with the resistor
 All dimensions are in mm"